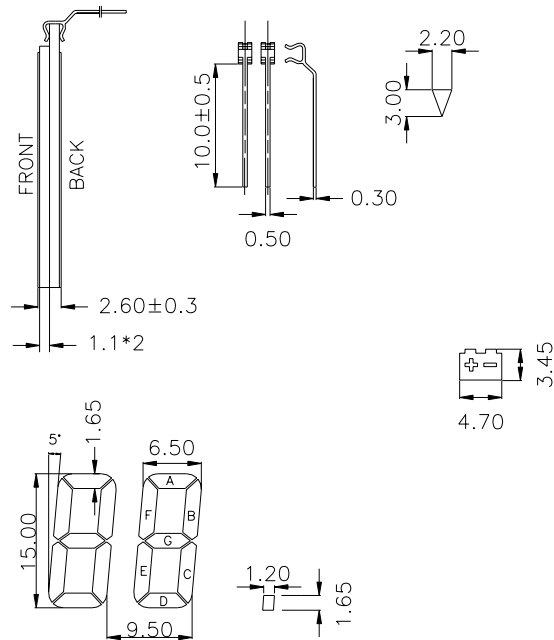


PIN	1	2	3	4	5	6	7	8	9	10	11	12	13	14	15	16	17	18
COM1	/	/	1F	1A	2F	2A	3F	3A	4F	4A	5F	5A	6F	6A	COM1	/	/	/
COM2	/	COM2	1G	1B	2G	2B	3G	3B	4G	4B	5G	5B	6G	6B	/	/	/	/
COM3	/	/	1E	1C	2E	2C	3E	3C	4E	4C	5E	5C	6E	6C	/	COM3	/	/
COM4	COM4	/	1D	P1	2D	P2	3D	P3	4D	P4	5D	/	6D	P6	/	/	P5	BAT

NOTE

- 1: TOLERANCES UNLESS OTHERWISE SPECIFIED: ± 0.20
- 2: VIEWING ANGLE: 12 O'CLOCK
- 3: POLARIZER: REFLECTIVE
- 4: DUTY: 1/4, BIAS: 1/3
- 5: DRIVING VOLTAGE: 3V
- 6: OPERATING TEMPERATURE: -5°C TO 55°C
- 7: STORAGE TEMPERATURE: -10°C TO 60°C



AZ DISPLAYS, INC.		
CHECKED BY:	TITLE:	SCALE:
B.S.	6 Digit	UNIT: mm
Part No.	GD-535P	SIZE: A4
DATE:	SHEET 1 OF 1	
APR, 4, 97		